

Advance your options, the choice is yours

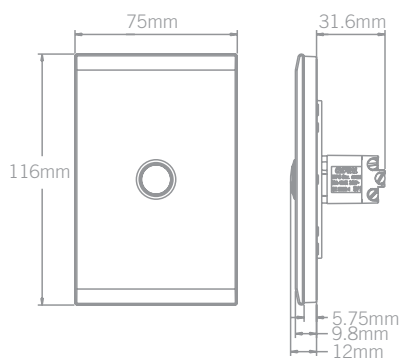
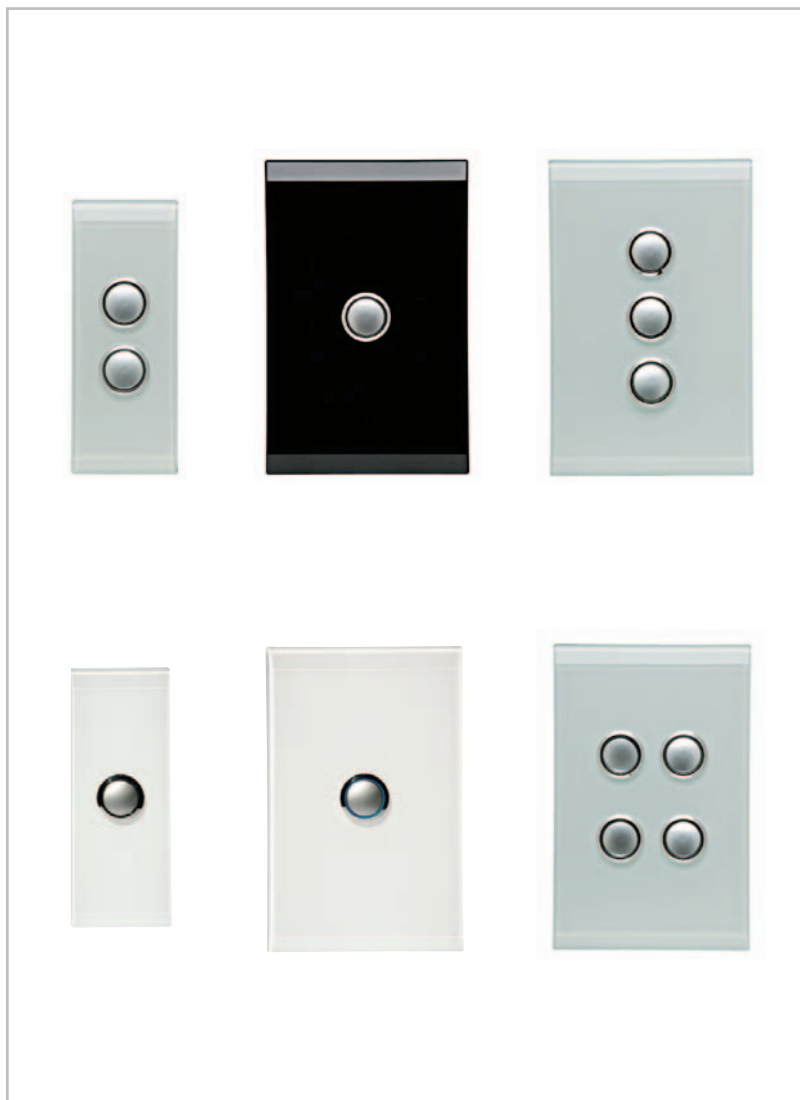
Electrical switchgear solutions



Match your décor

- > It is often assumed that there are no options outside the standard white plastic switch. Nothing could be further from the truth!

> Saturn 250V

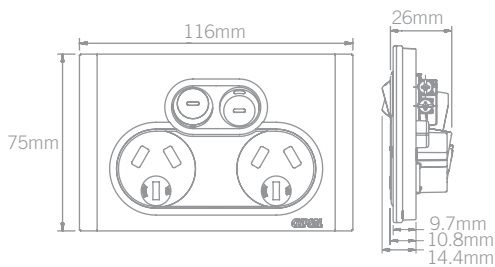
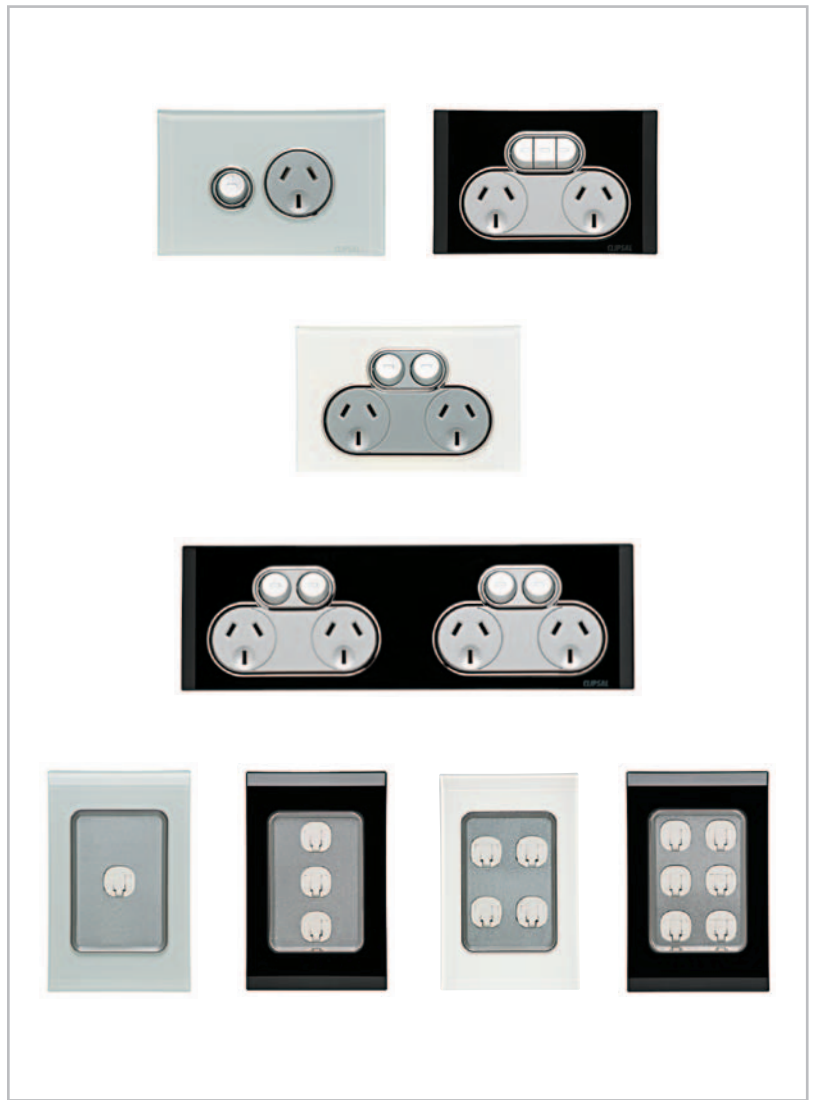


Desire the look. Have it all.

The unique Saturn 250V collection has an elegant glass look and complements modern surfaces in kitchens, bathrooms and family areas. Available in pure white, espresso black or ocean mist colour variants.

The collection offers a range of electrical accessories that are perfectly matched to the Saturn Home Automation range, making it easy to achieve a seamless look and enviable style. Saturn 250V also offers optional LED indication, replacing the red indicator found on the more traditional mechanisms with a soft blue halo effect.

> Saturn 250V



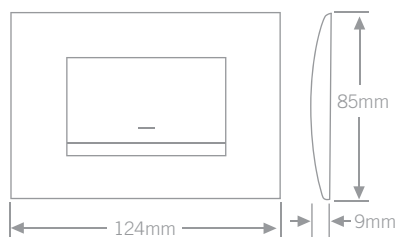
Stands out from the crowd, blends in with the home

Saturn 250V sockets are available in horizontal single, double or quad configurations allowing you to have as many or as few sockets in a room as you require.

Saturn data inputs are the perfect option for anywhere you require data connectivity around the home, in areas such as bedrooms, family rooms, lounge rooms and the home office, without compromising your home's great looks.

Sockets are available in horizontal only.

> Modena 800 Series™



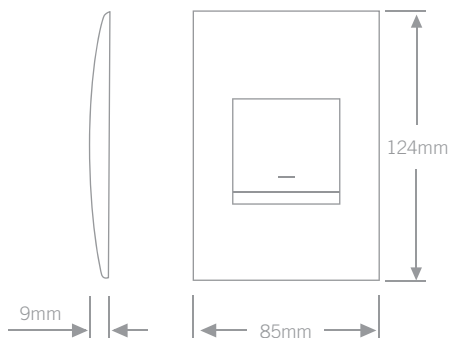
Modena 800 Series™

Drawing on Latin and European inspiration and constructed with proven quality, the Modena range represents the next leap forward in residential switchgear.

Nine interchangeable picture frame surround colours combine with two module colours to give you 18 possible colour combinations. This huge palette allows you to select the perfect match for your décor in each and every room.

The modular nature of the range allows you to create your own layouts if required – from oversized modules that make switching a breeze, through to customised AV plates for the home theatre enthusiast.

> Modena 800 Series™ Vertical



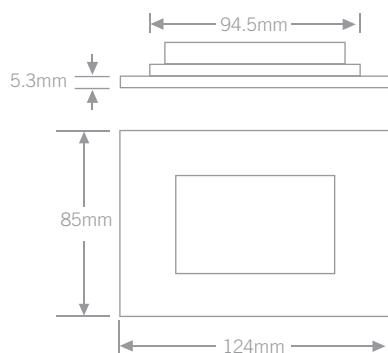
Modena 800 Series™ – Vertical

Available in the same colour palette as the standard Modena range, these vertical switch plates are ideal for retrofitting into existing homes.

The subtle curves and designer shades of Modena Vertical bring a splash of colour to your renovation project.

Clever construction means that Modena Vertical is a simple swap-in replacement for your existing switches in most homes.

> Strato 800 Series™



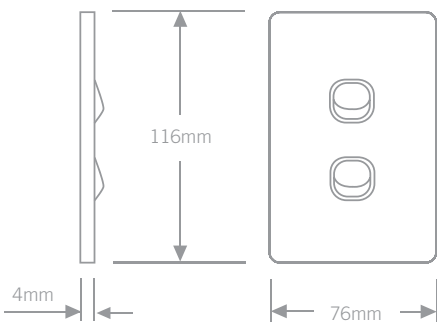
Strato 800 Series™

The sleek profile of Strato lends an element of sophistication to any room. Slim flat metal picture frame surrounds combine with European style modules to create a highly flexible system that can be tailored to your needs in any location.

The finger mark resistant brushed aluminium finish tops a wall plate only 5mm thick, lending a durable face to a modern design.

The modular nature of the range lets you simply add the functions you need, in the layout that suits you best.

> Slimline®



A classic, sliced extra thin

We have taken the Classic C2000 range and sliced it extra thin! The result is Slimline, a range of switches and sockets that are only 4mm thick (or should we say thin), making them one of the thinnest switch plates in the world.

With Slimline, you have a comprehensive range that is unique, but still looks at home when used with the Classic C2000 range. A range of metal plate covers and the outstanding Chrome Shadow finish are available in the Slimline range too. Featuring a full metal look and fingerprint resistant finish, they are sure to add a touch of class at a fraction of what you'd expect to pay.

Sockets available in horizontal only.

Schneider Electric Products are available through electrical wholesalers New Zealand wide.
© 2011 Schneider Electric. All right reserved.
As standards, specifications and designs change from time to time, always ask for confirmation of the information given in this publication.
Design: Schneider Electric Photos: Schneider Electric

Schneider Electric (NZ) Ltd.

38 Business Parade South,
East Tamaki, Auckland 2013
PO Box 259370, Botany, Auckland 2163
Tel: +64 9 829 0490 Fax: +64 9 829 0491

Customer Care: 0800 652 999
Email: sales@nz.schneider-electric.com
www.schneider-electric.com/nz
www.pdl.co.nz www.clipsal.co.nz

